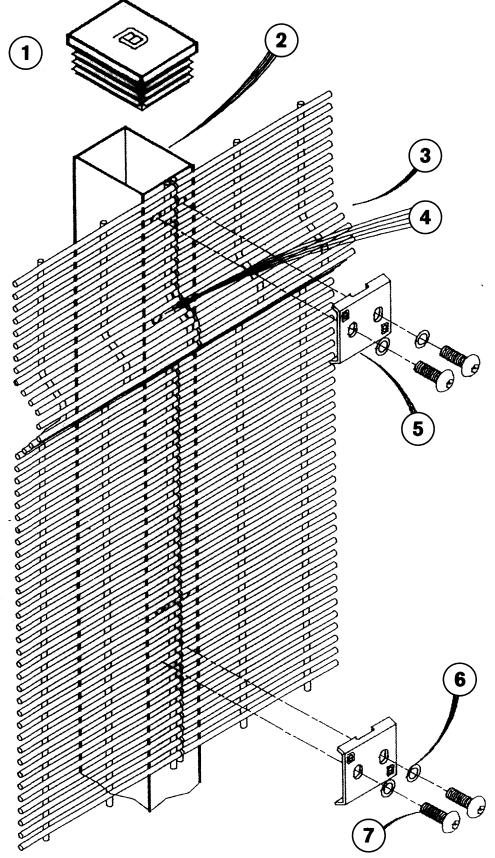


INSTALLATION SHEET

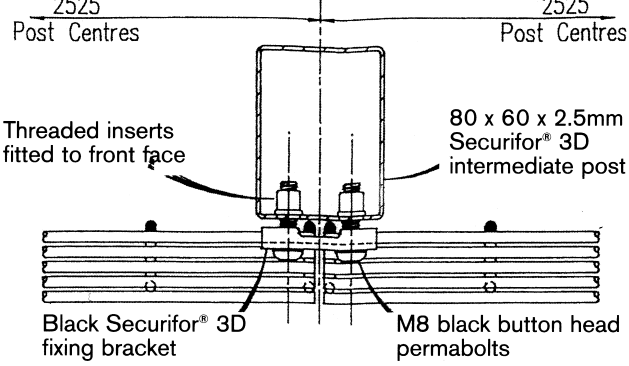
Typical Post and Panel Fixing Detail



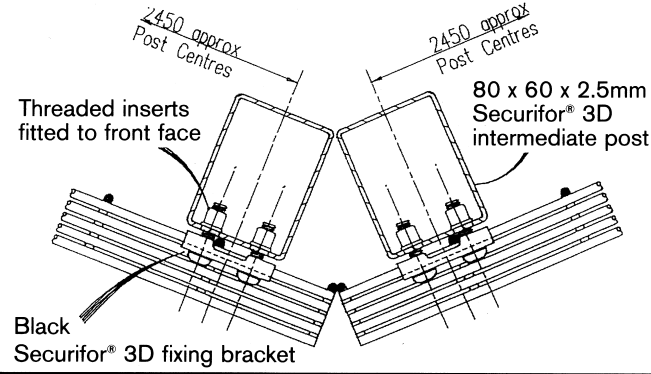
1. Black plastic top cap
2. 80 x 60 x 2.5mm Securifor® 3D intermediate post
3. 2.515m wide Securifor® 3D panels, positioned 10mm below the top of post
4. Spare threaded inserts for stepping adjoining panels
5. Black Securifor® 3D fixing brackets
6. Black washers
7. M8 black button head permabolts

Securifor® 3D Panels

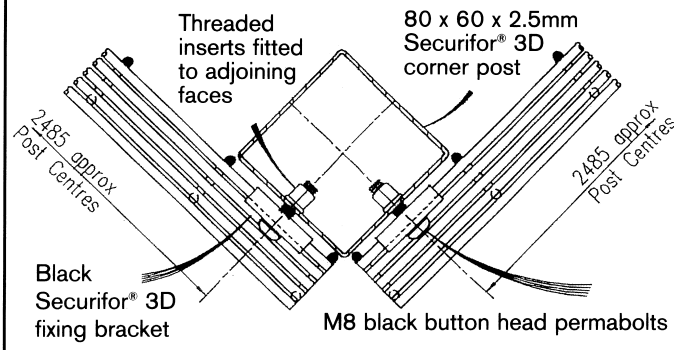
Plan View on Intermediate Posts



Plan View on Obtuse Corner

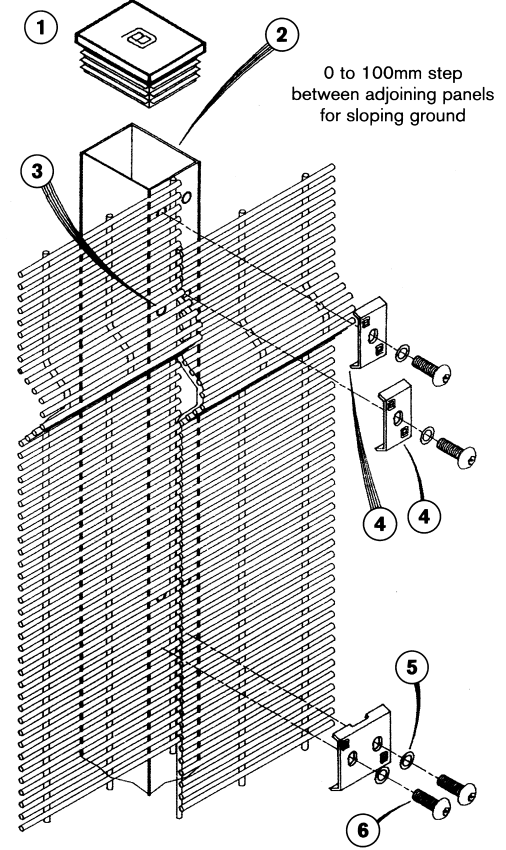


Plan View on 90° Corner



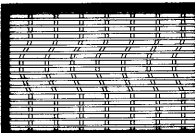
Securifor® 3D Panels on Securifor® 3D Posts

Typical Stepping Detail for Sloping Ground



1. Black plastic top cap
2. 80 x 60 x 2.5mm Securifor® 3D intermediate post
3. Spare threaded inserts for stepping adjoining panels
4. Top and bottom of stepped panels secured using single drilled fixing brackets
5. Black washers
6. M8 black button head permabolts

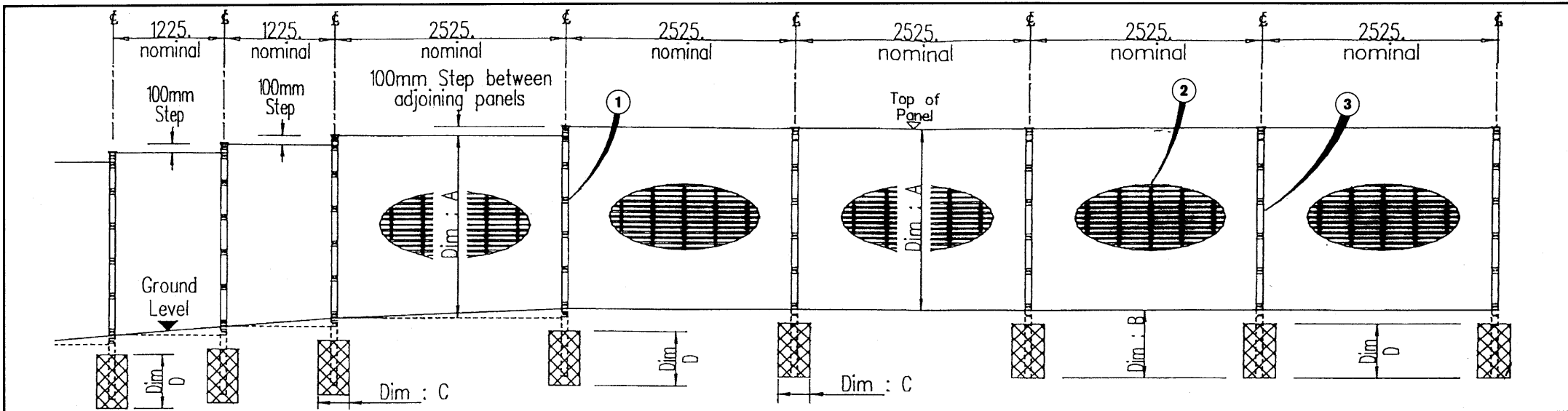




INSTALLATION SHEET

Securifor® 3D Panels

Securifor® 3D Panels on Securifor® 3D Posts



Stepped Panels

Panels may be stepped 100mm max. on standard length posts. Steeper gradients are achieved by reducing the post centres as required, or with extra length posts made to order, see below for details.

Gradients:

All standard posts are fitted with 2no. additional inserts at the top and bottom, to facilitate:

- 100mm steps between standard width panels for gradients of 1 in 25 (4%)
- 100mm steps between adjoining half width panels (cut-down and made good on site) for gradients of 1 in 12 (8%)
- 100mm step between adjoining third width panels (cut-down and made good on site) for gradients of 1 in 8 (12.5%)

Steeper gradients require extra length made to order posts manufactured to suit the required gradients.

Note: Where horizontal wires at 0.5" crs. foul a fixing point the wires may be spread or cut on site as required. All cut ends should be made good on site with touch-up paint prior to fixing the covering bracket.

Notes

The preferred method of erection is:-

Post - Panel - Post - Panel, etc.

Standard 90° corner posts are available as required. Obtuse corners from 90 - 180° are achieved using 2no. standard intermediate posts, as shown overleaf.

- 1 Securifor® 3D panels secured to front face of the posts using black double-drilled brackets and black M8 button head permabolts
- 2 2.515m wide Securifor® 3D panels, positioned level with the top of the posts
- 3 80 x 60 x 2.5mm Securifor® 3D posts, fitted with twin M8 dia. threaded inserts and black plastic caps

Foundations

Concrete foundations must not be leaner by mass than one part cement to ten parts 20mm nom. size-graded aggregates, and are to be thoroughly compacted prior to the initial set.

All panels are supplied to site in a standard width of 2.515m. Make up bays are to be cut from standard width panels and made good on site. This specification sheet to be read in conjunction with BS 1722 part 14, 1992: Specification for open mesh steel panel fences.

Dim: A height of panel	Dim: B depth of hole	Dim: C size of found's	Dim: D depth of conc.	O/A length of post	No. of bolts per post
2.0m	750	400 sq.	600	2700	6
2.4m	750	450 sq.	600	3100	7

Note: Foundation sizes indicated are nominal only and may require modification to suit prevailing ground conditions on site.

Specification - Panels

Mesh Pattern	76.2mm (3") x 12.7mm (0.5") welded at each intersection
Horizontal Wires	4mm diameter at 12.7mm centres
Vertical Wires	4mm diameter at 76.2mm centres
Finish	Colour coated in a range of 8 standard colours with a Galvanised substrate
Presentation	Panels are butt jointed at each post for securing with double-drilled fixing brackets. Posts are fitted with twin rows of M8 threaded inserts Weld Shear: 75% of tensile strength of wire Tensile Strength: 540/615 N/mm ² Solidity: 35% solid Weight: 9.1kg/m ²
Technical Data	

Specification - Posts

Characteristics	Section: 80 x 60 x 2.5mm Elastic Modulus: 15.03cm ³ (Resistance to bending)
Finish	Colour coated in 8 standard colours with a galvanised substrate
Presentation	Supplied complete with black top caps, double-drilled black coated steel fixing brackets and black coated M8 diameter tamper proof button-head bolts and washers