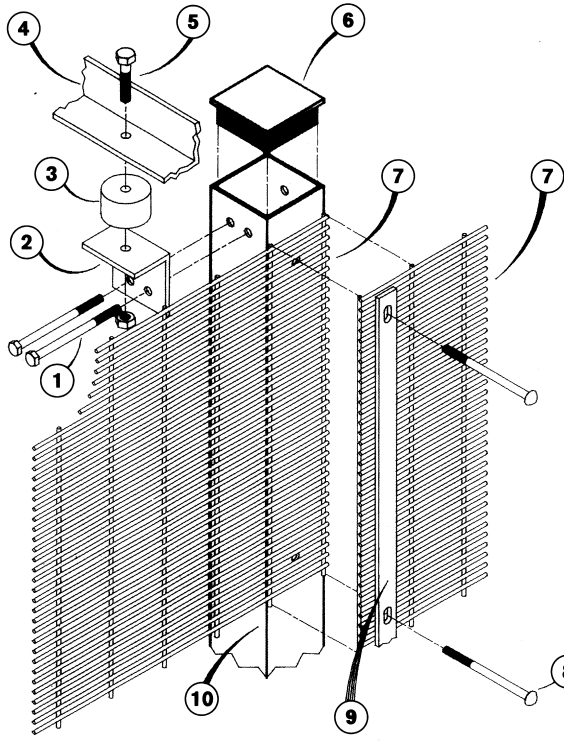


# INSTALLATION SHEET

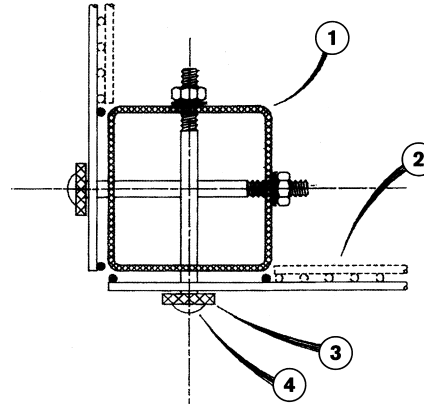
## Typical Fixing Detail



- 1. M8 dia. hex. bolt
- 2. Mounting bracket
- 3. Rubber bush
- 4. Topping support angle x 700mm long
- 5. M10 x 65mm hex. bolt
- 6. Ribbed black plastic cap or welded steel cap as appropriate
- 7. 2515mm wide panels of Securifor® 358 Maximum Security mesh, overlapped 75mm approx. at the posts. Horizontal wires at 12.7mm crs. to be towards the attack face
- 8. M8 dia. cup square round bolts with hex. nuts and flat washers
- 9. 25 x 5mm RSF slotted clamp bar
- 10. RHS intermediate post, holed in front and rear faces

## Securifor® 358 Maximum Security

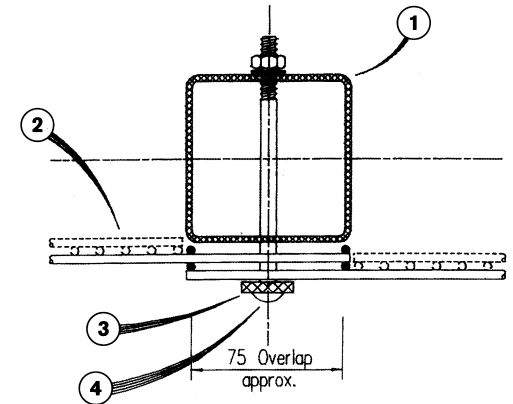
### Plan of 90° External Corner



- 1. 90° corner post
- 2. Optional inner skin
- 3. 25 x 5mm slotted clamp bar
- 4. M8 dia. galvanised cup square round bolts

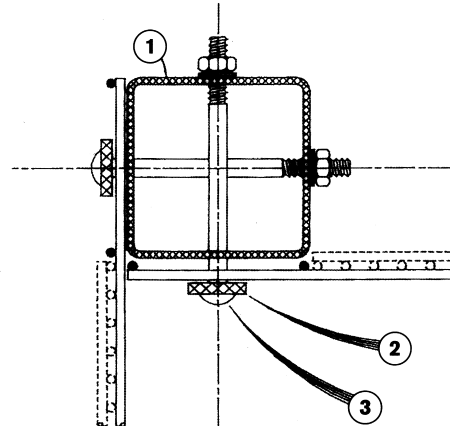
## Securifor® 358 Panels on RHS Posts

### Plan of Intermediate Post



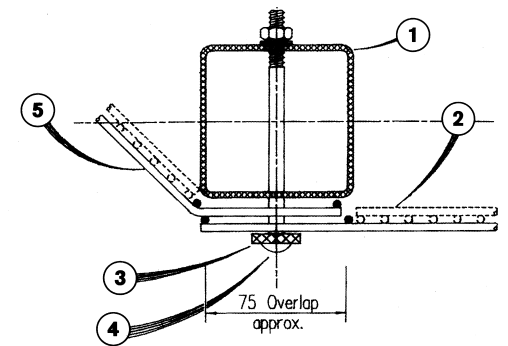
- 1. Intermediate post
- 2. Optional inner skin
- 3. 25 x 5mm slotted clamp bar
- 4. M8 dia. galvanised cup square round bolts

### Plan of 90° Internal Corner



- 1. 90° corner post
- 2. 25 x 5mm slotted clamp bar
- 3. M8 dia. galvanised cup square round bolts

### Plan of Obtuse External Corner



- 1. Intermediate post
- 2. Optional inner skin
- 3. 25 x 5mm slotted clamp bar
- 4. M8 dia. galvanised cup square round bolts
- 5. Panel to be placed horizontally over a straight length of timber and bent over using a mallet to the required angle prior to clamping to the post

**BEKAERT FENCING SYSTEMS**

Woodhouse Lane, Wigan, Lancashire WN6 7NS

A member of the BEKAERT Group



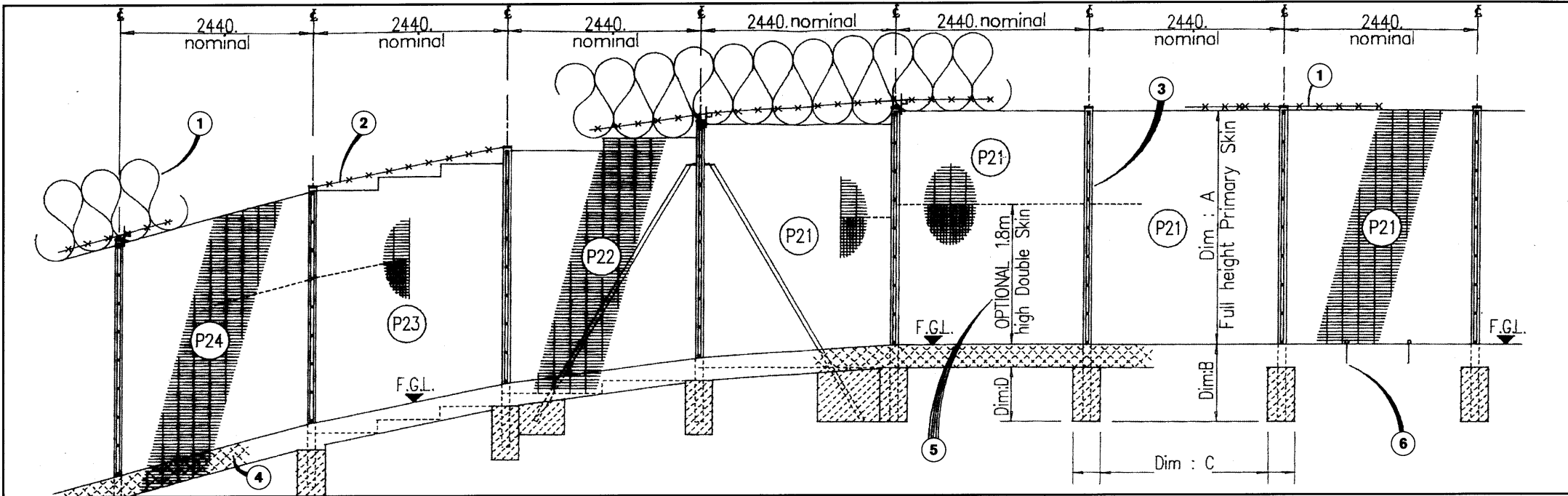
**SALES OFFICE** 0870 1203252  
0870 1203242

EMAIL [ukbfssales@bekaert.com](mailto:ukbfssales@bekaert.com)

# INSTALLATION SHEET

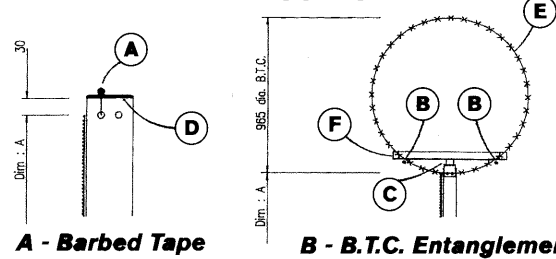
## Securifor® 358 Maximum Security

## Securifor® 358 Panels on RHS Posts



- ① Topping option: B, barbed tape concertina and flexible 'T' bar
- ② Topping option: A, single row of barbed tape/wire
- ③ RHS intermediate posts, pitched at 2.44m crs.
- ④ Bottom detail: Y, panels terminated 300mm below F.G.L. in a 300mm x 300mm deep trench, backfilled with concrete, pea gravel or compacted fill
- ⑤ 2515mm wide single or double skin Securifor® 358 Maximum Security panels overlapped at 75mm approx. at each post and fixed using 25mm x 5mm slotted clamp bars and 8M dia. galvanised cup-sq.rd. bolts, hex. nuts and flat washers
- ⑥ Bottom detail: X, panels terminated at finished ground level and staked with hairpin staples if required
- P21 **Rectangle panel** - for level ground and gradients less than 1 in 15 by stepping adjoining panels 165mm max.
- P22 **Single stepped panel** - for gradients of 1 in 15 to 1 in 7.5 by stepping adjoining panels 165mm max.
- P23 **Double stepped panels** - for gradients of 1 in 7.5 to 1 in 5 by stepping adjoining panels 165mm max.
- P24 **Raking panel** - for gradients steeper than 1 in 5, raked to suit ground profile

### Alternative Topping Details



- A.** 1no. row of barbed tape or barbed wire, stirrucked to top of posts
- B.** 2no. rows of barbed wire stirrucked to tee bar
- C.** 50mm dia. rubber bush and mounting bracket
- D.** Black plastic cup
- E.** 965mm dia. barbed tape concertina, fastened to 2no. rows of barbed wire and top edge of panels with wire ties or hog rings at 300mm crs.
- F.** 700mm long R.S.A. tee bar

**Note:** Where horizontal wires at 0.5" crs. foul a fixing point the wires may be spread or cut on site as required. All cut ends should be made good on site with touch-up paint prior to fixing the covering bracket.

### Foundations

Strainer posts and struts are required only when using topping option: B and are to be sited at all ends, corners, top and bottom of inclines and at 100m max. intervals in straight runs.

Concrete foundations must not be leaner by mass than one part cement to ten parts 20mm nom. size-graded aggregates, and are to be thoroughly compacted prior to the initial set.

Dim: A height of panel	Dim: B depth of hole	Dim: C size of found's	Dim: D depth of conc.	Recommended post section size	O/A length of post	No. of bolts per post
3.0m	1000	500 sq.	700	80 x 80 3mm	4030	11
3.6m	1000	600 sq.	700	80 x 80 5mm	4630	13
4.2m	1000	700 sq.	700	100 x 100 4mm	5230	15

**Note:** Foundation sizes indicated are nominal only and may require modification to suit prevailing ground conditions on site.