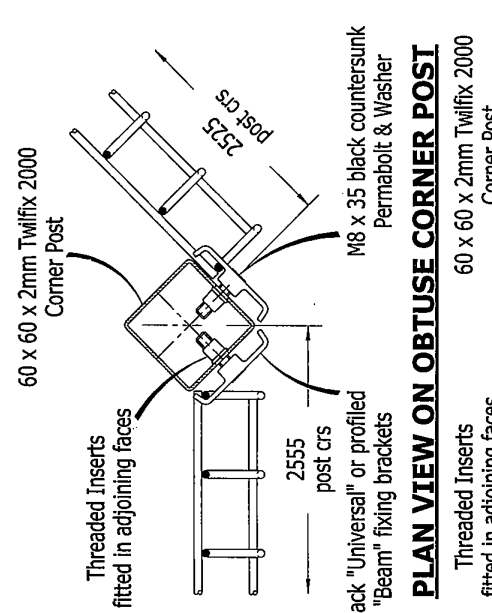
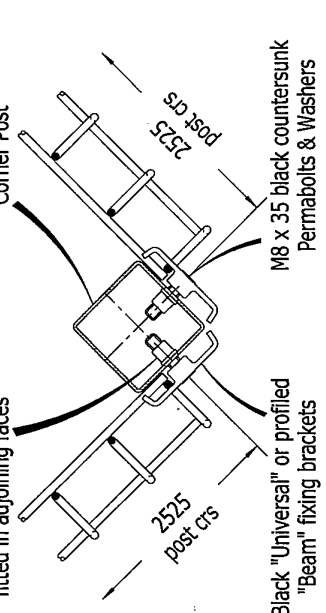


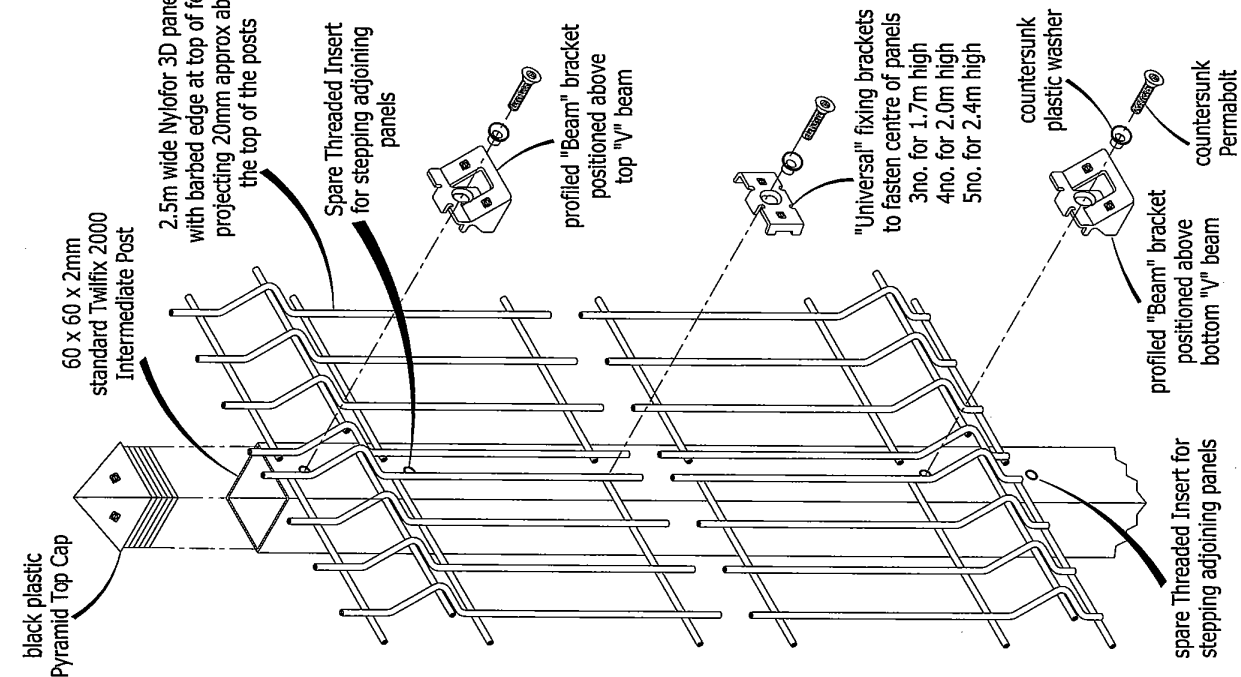
PLAN VIEW ON INTERMEDIATE POST



PLAN VIEW ON OBTUSE CORNER POST



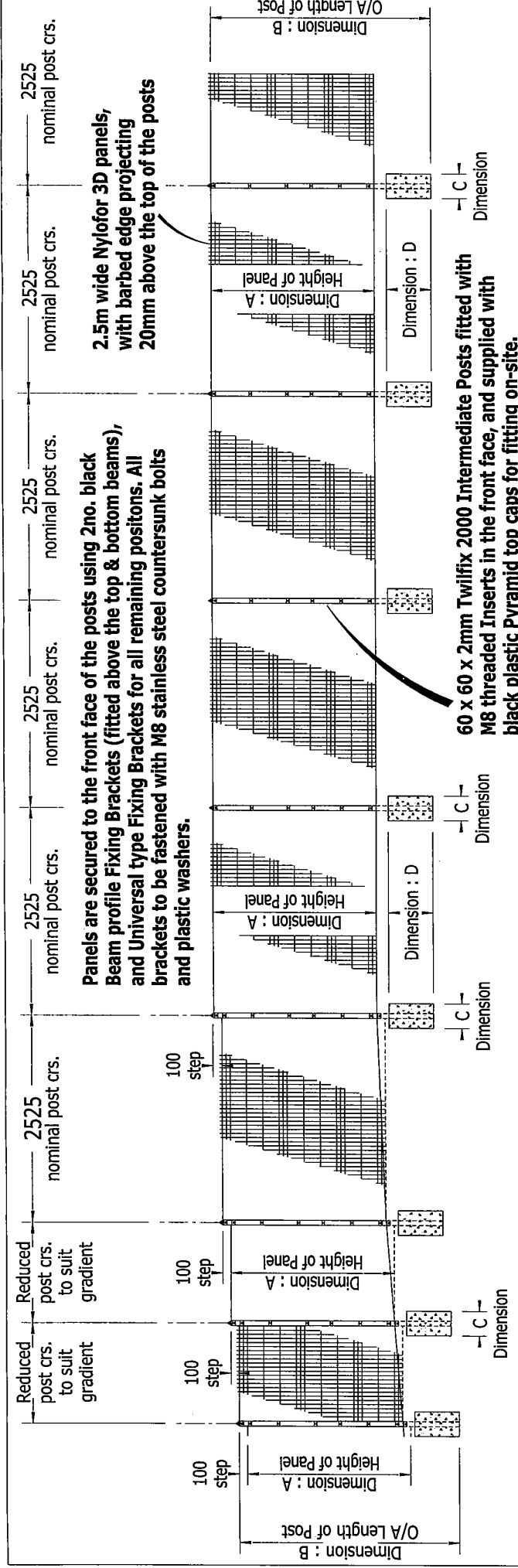
PLAN VIEW ON 90° CORNER POST



TYPICAL POST AND PANEL FIXING DETAIL

STEPPING DETAIL FOR SLOPING GROUND

	Bekaert Fencing Ltd - Wigan Woodhouse Lane Wigan WNG 7NS Phone 0870 120 3252 Fax 0870 120 3242		ukbfssales@bekaert.com www.bekaert-fencing.com
	Drawing No.: NY - 3D	Date: 09.06.03	Drawn: MJH



60 x 60 x 2mm Twifix 2000 Intermediate Posts fitted with M8 threaded Inserts in the front face, and supplied with black plastic Pyramid top caps for fitting on-site.

Corner posts
 Corner posts are available for Standard 90° external and internal corners, and are also used for obtuse external and internal corners. End posts are not required.

Gradients
 All standard Intermediate & Corner posts are fitted with 2no. additional threaded inserts at the top & bottom to facilitate 100mm steps between adjoining panels. Different gradients are achieved by reducing the post centres and width of panel to suit, ie :
 2500 wide standard panel with 100mm step : 1 in 25 (4%) (2.3°)
 2000 wide site-cut panel with 100mm step : 1 in 20 (5%) (2.9°)
 1500 wide site-cut panel with 100mm step : 1 in 15 (6.6%) (3.8°)
 1000 wide site-cut panel with 100mm step : 1 in 10 (10%) (5.7°)
 Steeper slopes will require made-to-order extra long posts, manufactured with additional threaded inserts to suit the stepping required between adjoining panels to suit each gradient.

Nylofor 3D Panels		Twifix 2000 Posts			Fixings - Level Ground			Fixings - Sloping Ground		
Dim : A Panel Height	Number Of Beams	Dim : B Length Of Post	Dim : C Size Of Found's	Dim : D Depth Of Found's	Total Number Fixings	Number Beam Fixings	Number Universal Fixings	Total Number Fixings	Number Beam Fixings	Number Universal Fixings
1730mm	3no.	2400mm	300mm	500mm	5no.	2no.	3no.	7no.	4no.	3no.
2030mm	4no.	2700mm	300mm	500mm	6no.	2no.	4no.	8no.	4no.	4no.
2430mm	4no.	3100mm	450mm	500mm	7no.	2no.	5no.	9no.	4no.	5no.

IMPORTANT NOTE : The Foundation sizes indicated are nominal only and may require modification to suit the prevailing ground conditions on site

The Nylofor 3D fencing system generally satisfies the requirements for Category : 1 (General Purpose) & Category : 2 (Security) fences as prescribed by B.S. 1722 Part : 14 - Open Mesh Steel Panel Fences

Concrete Foundations must not be leaner by mass than 1 part cement to 10 parts 20mm nominal size graded aggregates, and must be thoroughly compacted prior to the initial set.
 All Nylofor 3D panels are supplied to site in a standard width of 2500mm. Panels for make-up bays are to be cut to suit on site, and made good using a Zinc Etch Primer paint, followed by a top coat of Cromadex 222 polyurethane repair paint.

Concrete Foundations must not be leaner by mass than 1 part cement to 10 parts 20mm nominal size graded aggregates, and must be thoroughly compacted prior to the initial set.

IMPORTANT NOTE : The Foundation sizes indicated are nominal only and may require modification to suit the prevailing ground conditions on site

The Nylofor 3D fencing system generally satisfies the requirements for Category : 1 (General Purpose) & Category : 2 (Security) fences as prescribed by B.S. 1722 Part : 14 - Open Mesh Steel Panel Fences

	Bekaert Fencing Ltd - Wigan Woodhouse Lane Wigan WN6 7NS Phone 0870 120 3252 Fax 0870 120 3242	ukbfssales@bekaert.com www.bekaert-fencing.com	Bekaert Fencing Ltd. reserves the right to amend and withdraw products detailed herein, without prior notice COPYRIGHT © 2003 BEKAERT FENCING LTD - SHEFFIELD - ENGLAND	Drawn MJH	Date 09.06.03	Drawing No : NY - 3D	REV
	The Nylofor 3D fencing system generally satisfies the requirements for Category : 1 (General Purpose) & Category : 2 (Security) fences as prescribed by B.S. 1722 Part : 14 - Open Mesh Steel Panel Fences						