

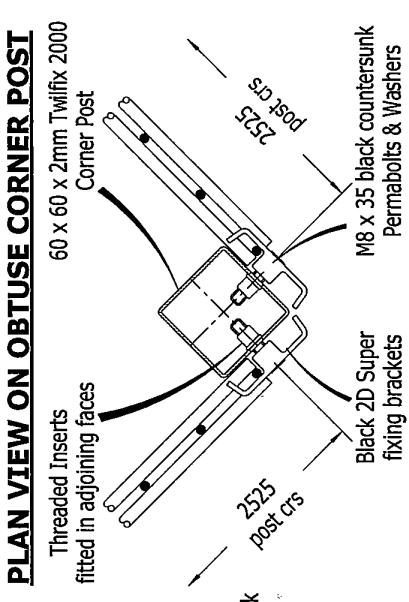
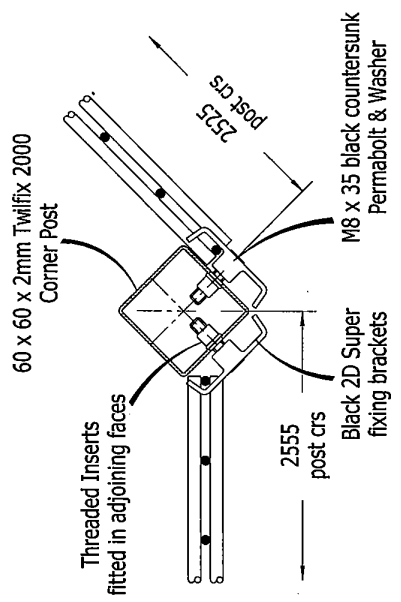
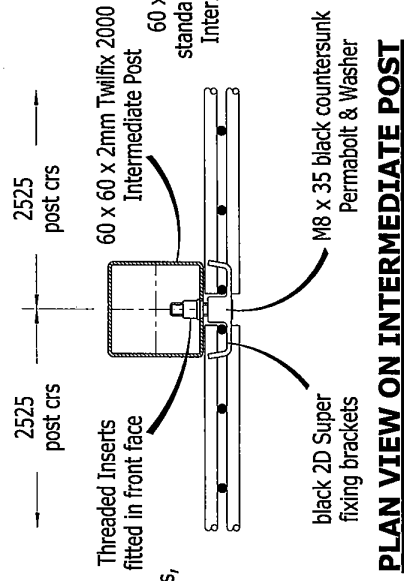
STEPPING DETAIL FOR SLOPING GROUND

Drawing No :	REV
Date	09.06.03
Drawn	MJH
NY - 2DS	

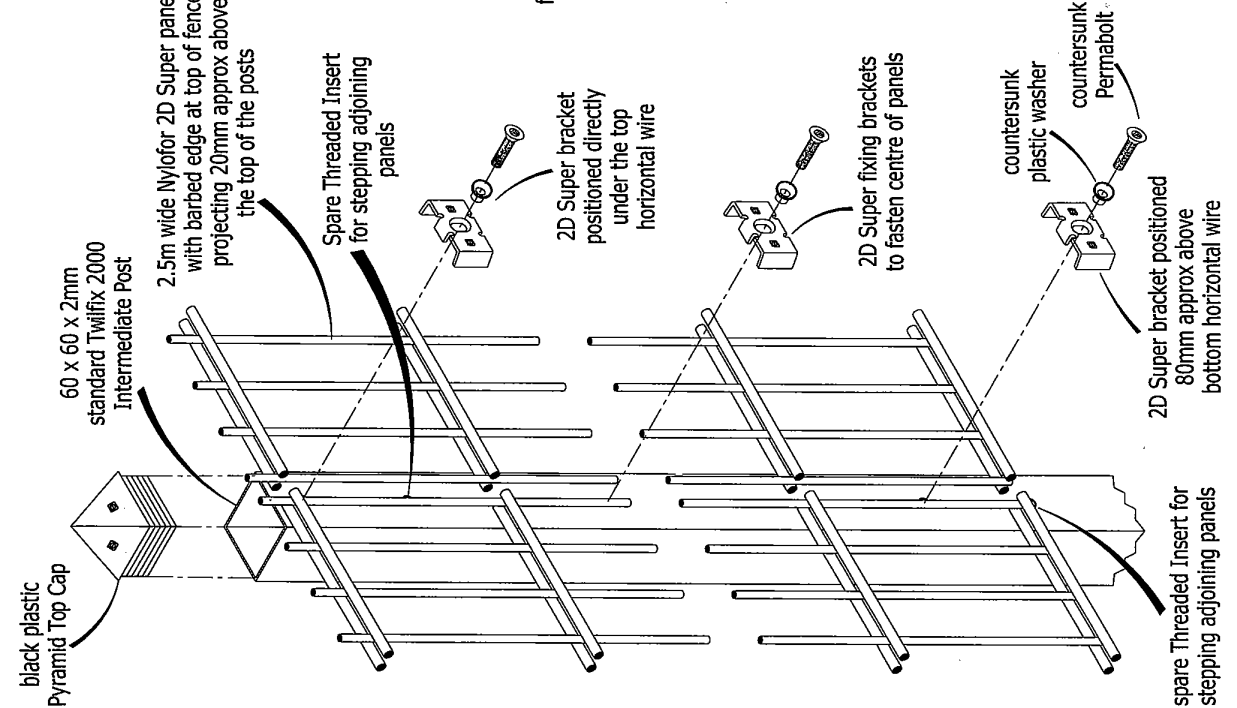
NYLOFOR 2D SUPER WITH FIXING BRACKETS

ukbrfssales@bekaert.com
www.bekaert-fencing.com

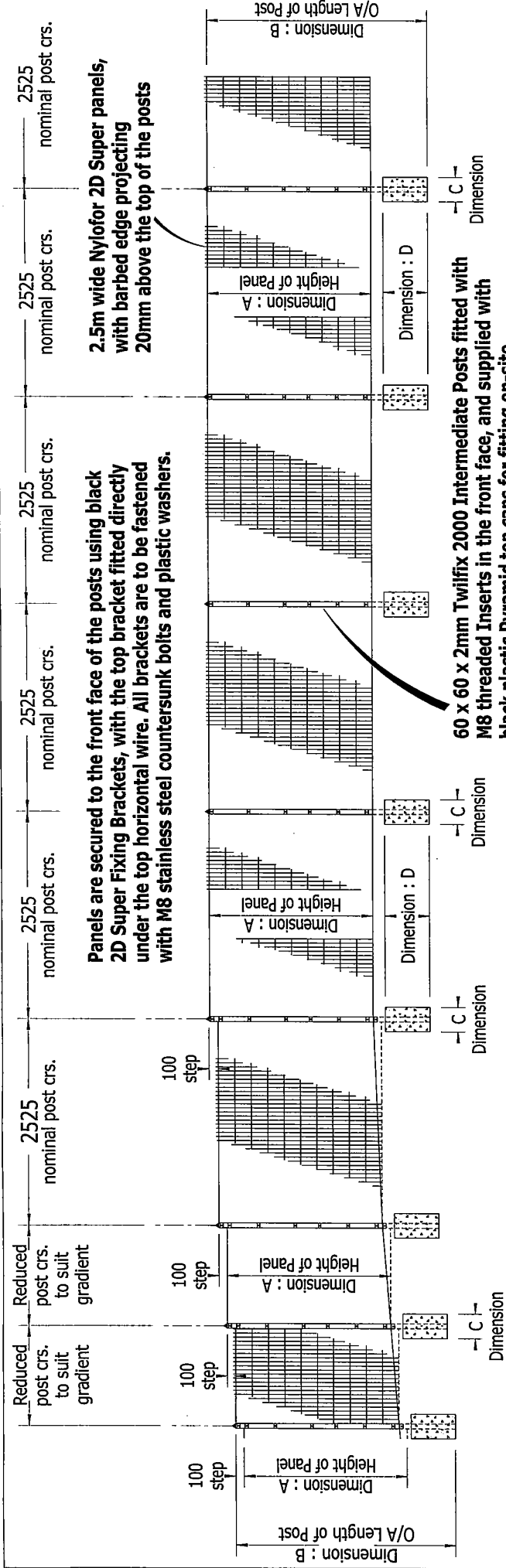
Bekaert Fencing Ltd - Wigan
Woodhouse Lane
Wigan WNG 7NS
Phone 0870 120 3252
Fax 0870 120 3242



PLAN VIEW ON 90° CORNER POST



TYPICAL POST AND PANEL FIXING DETAIL



Panels are secured to the front face of the posts using black 2D Super Fixing Brackets, with the top bracket fitted directly under the top horizontal wire. All brackets are to be fastened with M8 stainless steel countersunk bolts and plastic washers.

2.5m wide Nylofor 2D Super panels, with barbed edge projecting 20mm above the top of the posts

60 x 60 x 2mm Twifix 2000 Intermediate Posts fitted with M8 threaded Inserts in the front face, and supplied with black plastic Pyramid top caps for fitting on-site.

Corner posts

Corner posts are available for Standard 90° external and internal corners, and are also used for obtuse external and internal corners. End posts are not required.

Gradients

All standard Intermediate & Corner posts are fitted with 2no. additional threaded inserts at the top & bottom to facilitate 100mm steps between adjoining panels. Different gradients are achieved by reducing the post centres and width of panel to suit, i.e :
 2500 wide standard panel with 100mm step : 1 in 25 (4%) (2.3°)
 2000 wide site-cut panel with 100mm step : 1 in 20 (5%) (2.9°)
 1500 wide site-cut panel with 100mm step : 1 in 15 (6.6%) (3.8°)
 1000 wide site-cut panel with 100mm step : 1 in 10 (10%) (5.7°)
 Steeper slopes will require made-to-order extra long posts, manufactured with additional threaded inserts to suit the stepping required between adjoining panels to suit each gradient.

Notes

The preferred method of installation is : Post - Panel - Post - Panel, etc. Bolts may be installed using a Power-Driver and Power-Bit if preferred. When using hand tools, care must be taken to avoid over tightening of bolts.

Concrete Foundations must not be leaner by mass than 1 part cement to 10 parts 20mm nominal size graded aggregates, and must be thoroughly compacted prior to the initial set.

All Nylofor 2D Super panels are supplied to site in a standard width of 2500mm. Panels for make-up bays are to be cut to suit on site, and made good using a Zinc Etch Primer paint, followed by a top coat of Cromadex 222 polyurethane repair paint.

Dim : A Panel Height	Dim : B Length Of Post	Dim : C Size Of Found's	Dim : D Depth Of Found's	Fixings Level Ground	Fixings Sloping Ground
1030mm	1500mm	300mm	300mm	3no.	5no.
1230mm	1800mm	300mm	400mm	4no.	6no.
1830mm	2500mm	300mm	500mm	5no.	7no.
2030mm	2700mm	300mm	500mm	6no.	8no.
2430mm	3100mm	450mm	500mm	7no.	9no.

IMPORTANT NOTE : The Foundation sizes indicated are nominal only and may require modification to suit the prevailing ground conditions on site

The Nylofor 2D Super fencing system generally satisfies the requirements for Category : 1 (General Purpose) & Category : 2 (Security) fences as prescribed by B.S. 1722 Part : 14 - Open Mesh Steel Panel Fences

	Bekaert Fencing Ltd - Wigan Woodhouse Lane Wigan WNG 7NS Phone 0870 120 3252 Fax 0870 120 3242	ukbfsales@bekaert.com	Bekaert Fencing Ltd. reserves the right to amend and withdraw products detailed herein, without prior notice	Drawn	Date	Drawing No :
	www.bekaert-fencing.com	COPYRIGHT © 2003 BEKAERT FENCING LTD - SHEFFIELD - ENGLAND	MJH	09.06.03	NY - 2DS	REV